

### Radiant Analog Servos

**RDNA0407**  
Submicro 6g Analog

4.8V	6.0V
0.12	0.1
13.89	16.66
1.0	1.2

**RDNA0400**  
Submicro 8g Analog

4.8V	6.0V
0.14	0.12
13.89	16.66
1.0	1.2

**RDNA0408**  
Micro 9g Analog

4.8V	6.0V
0.14	0.12
18.05	20.83
1.3	1.5

**RDNA0080**  
Micro 13g Analog  
MG

4.8V	6.0V
0.09	0.08
23.61	26.39
1.7	1.9

**RDNA0404**  
Mini 17g Analog

4.8V	6.0V
0.14	0.12
41.66	48.61
3	3.5

**RDNA0079**  
Mini 20g Analog

4.8V	6.0V
0.14	0.13
33.33	36.11
2.4	2.6

**RDNA0405**  
Standard 3.5kg  
Analog

4.8V	6.0V
0.12	0.1
41.66	48.61
3	3.5

**RDNA0406**  
Standard 5kg  
Analog BB

4.8V	6.0V
0.14	0.12
62.49	69.44
4.5	5

Torque Speed  
(oz/in.) (s/60°)

Torque (Kg/cm)

Size (mm): 21.5 x 11.8 x 22.7  
Weight: 6g  
Features: -  
Spline: 24T  
Circuit: Analog  
Motor: 3P Iron Core  
Gears: Plastic  
Bearing: None

Size (mm): 22.8 x 11.6 x 23.6  
Weight: 8g  
Features: -  
Spline: 24T  
Circuit: Analog  
Motor: 3P Iron Core  
Gears: Plastic  
Bearing: None

Size (mm): 22.3 x 11.8 x 26.3  
Weight: 9g  
Features: -  
Spline: 21T  
Circuit: Analog  
Motor: 3P Iron Core  
Gears: Plastic  
Bearing: None

Size (mm): 22.4 x 12.5 x 22.8  
Weight: 13g  
Features: Waterproof  
Spline: 25T  
Circuit: Analog  
Motor: DC  
Gears: Metal  
Bearing: Top BB

Size (mm): 27 x 12.5 x 29.8  
Weight: 17g  
Features: -  
Spline: 25T  
Circuit: Analog  
Motor: 3P Iron Core  
Gears: Metal  
Bearing: Dual BB

Size (mm): 28 x 13 x 27  
Weight: 20g  
Features: Waterproof  
Spline: 25T  
Circuit: Analog  
Motor: DC  
Gears: Metal  
Bearing: None

Size (mm): 40.8 x 20.1 x 38  
Weight: 36g  
Features: O rings, Waterproof  
Spline: 25T  
Circuit: Analog  
Motor: 3P Iron Core  
Gears: Plastic  
Bearing: Dual BB

Size (mm): 40.8 x 20.1 x 38  
Weight: 40g  
Features: O rings, Waterproof  
Spline: 25T  
Circuit: Analog  
Motor: 3P Iron Core  
Gears: Plastic  
Bearing: Dual BB

### Radiant Analog Servos

**RDNA0401**  
Standard 6.5kg Analog  
HT

4.8V	6.0V
0.14	0.12
83.32	90.27
6	6.5

**RDNA0402**  
Standard 10kg Analog  
HV

6.0V	7.4V
0.12	0.1
125	138.9
9	10

**RDNA0403**  
Standard 10kg Digital  
HV

6.0V	7.4V
0.12	0.1
125	138.9
9	10

**RDNA0411**  
Standard 10kg Digital  
HS

4.8V	6.0V
0.09	0.08
138.9	152.8
10	11

**RDNA0412**  
Standard 13kg Digital

4.8V	6.0V
0.16	0.14
166.7	180.5
12	13

**RDNA0413**  
Standard 15kg Digital  
HS

4.8V	6.0V
0.14	0.12
194.4	208.3
14	15

**RDNA0414**  
Standard 15kg Digital  
HV

6.0V	7.4V
0.16	0.14
194.4	208.3
14	15

Torque Speed  
(oz/in.) (s/60°)

Torque (Kg/cm)

Size (mm): 40.8 x 20.1 x 38  
Weight: 52g  
Features: O rings, Waterproof  
Spline: 25T  
Circuit: Analog  
Motor: 3P Iron Core  
Gears: Metal  
Bearing: Dual BB

Size (mm): 40.8 x 20.1 x 38  
Weight: 56g  
Features: O rings, Waterproof  
Spline: 25T  
Circuit: Analog  
Motor: 3P Iron Core  
Gears: Metal  
Bearing: Dual BB

Size (mm): 40.8 x 20.1 x 38  
Weight: 56g  
Features: O rings, Waterproof  
Spline: 25T  
Circuit: Digital  
Motor: 3P Iron Core  
Gears: Metal  
Bearing: Dual BB

Size (mm): 40.1 x 20.1 x 37.3  
Weight: 62g  
Features: O rings  
Spline: 25T  
Circuit: Digital  
Motor: Coreless  
Gears: Titanium  
Bearing: Dual BB

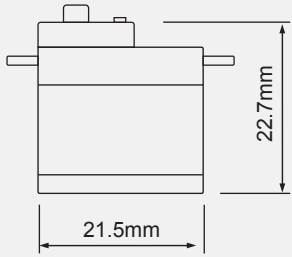
Size (mm): 40.1 x 20.1 x 37.3  
Weight: 56g  
Features: O rings, Waterproof  
Spline: 25T  
Circuit: Digital  
Motor: Brushed  
Gears: Metal  
Bearing: Dual BB

Size (mm): 40.1 x 20.1 x 37.3  
Weight: 62g  
Features: O rings, Waterproof  
Spline: 25T  
Circuit: Digital  
Motor: Coreless  
Gears: Titanium  
Bearing: Dual BB

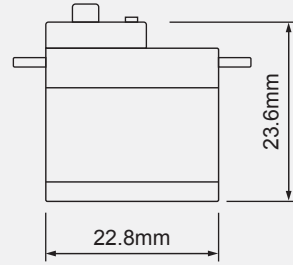
Size (mm): 40.1 x 20.1 x 38.8  
Weight: 65g  
Features: O rings, Waterproof  
Spline: 25T  
Circuit: Digital  
Motor: Coreless  
Gears: Titanium  
Bearing: Dual BB

### Radiant Digital Servos

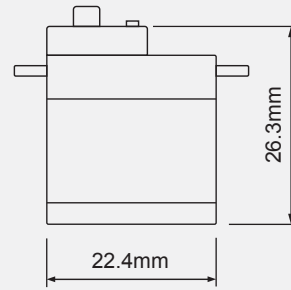
Scale Drawings



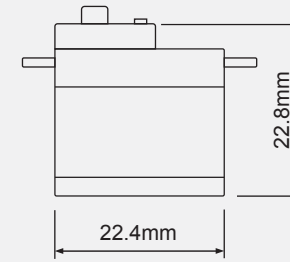
**Radiant servos this size:**  
RDNA0407



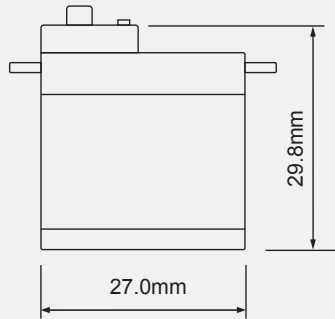
**Radiant servos this size:**  
RDNA0400



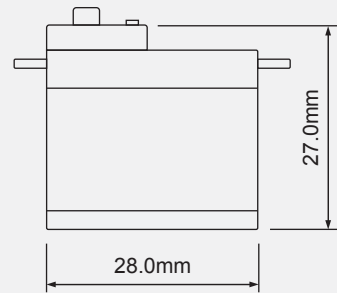
**Radiant servos this size:**  
RDNA0408



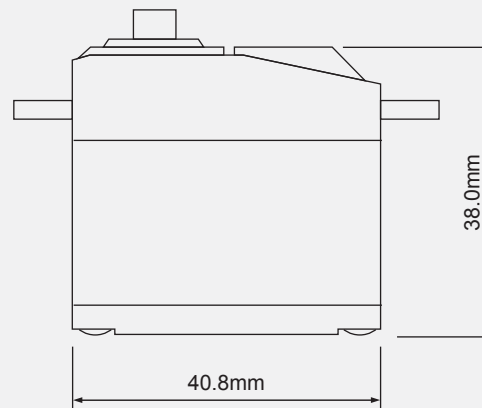
**Radiant servos this size:**  
RDNA0080



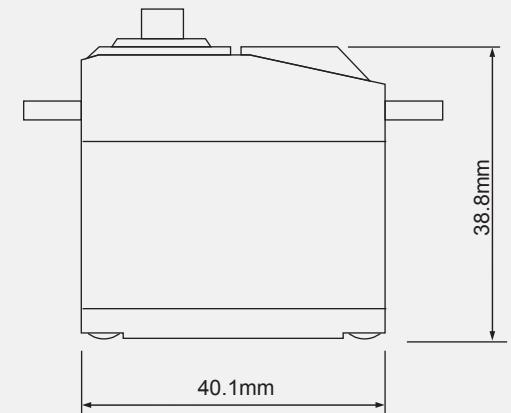
**Radiant servos this size:**  
RDNA0404



**Radiant servos this size:**  
RDNA0079



**Radiant servos this size:**  
RDNA0401  
RDNA0402  
RDNA0403  
RDNA0405  
RDNA0406



**Radiant servos this size:**  
RDNA0411  
RDNA0412  
RDNA0413  
RDNA0414